



# Guatemala Filter

*"Portioned coffee grinding  
for brewing machines"*



*"Portion for  
portion fresh coffee"*

GUA F



## Portioned coffee grinding for brewing machines

### Guatemala Filter

#### "Grind and Brew"

**Proven design:**

Traditional MAHLKÖNIG form, grinder housing varnished in any required color.

**Aromatic coffee:**

Each portion ground on demand, delivering aromatic coffee. No loss of coffee.

**High capacity:**

Very fine grinding, extreme long service-life, maintenance-free, high grinding capacity (up to 1.6 lb/min - 750 g/min).

**Dust-free grinding:**

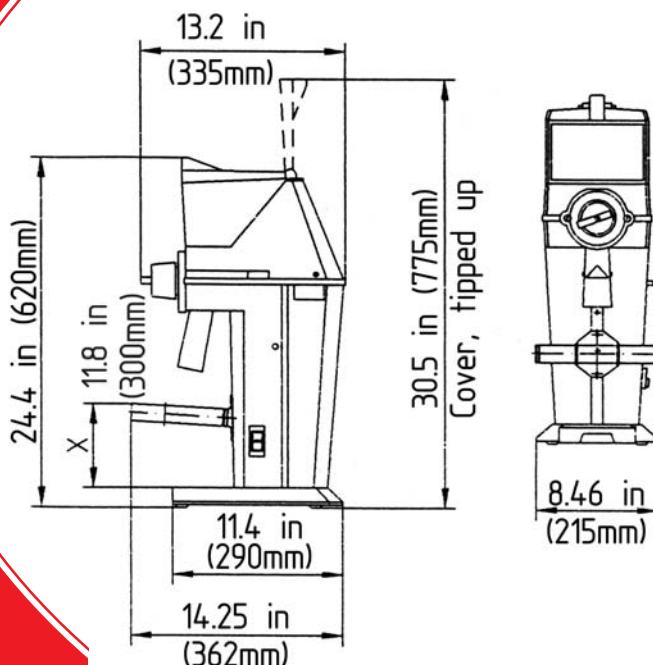
The prolonged spout provides static discharge and dust-free operation.

**High flexibility:**

Brew basket bracket suitable for all common brewing machines.

**Precise portioning:**

NEW: Precise setting of the grinding time due to timer guarantees always the same amount of ground coffee.



#### Technical data:

Type:	K 32SF
Net weight:	42 lb (19 kg)
Hopper:	1.1 lb (500 g)

Electrical data:	
K 32 S20F:	220-240 V/50 Hz/5.8 Amp
K 32 S10F:	110-115 V/60 Hz/12 Amp

Power consumption:	
K 32 S20F:	1100 W with 220-240 V/50 Hz
K 32 S10F:	1200 W with 110-115 V/60 Hz

Grinding capacity:	
K 32 S20F:	1.4 lb/min (640g/min) with 220-240 V
K 32 S10F:	1.6 lb/min (750g/min) with 110-115 V

# GUA F

**MAHLKÖNIG GmbH & Co. KG**

Tilsiter Strasse 142, D-22047 Hamburg

Phone: +49 (0)40 - 69 69 40-0, Fax: +49 (0)40 - 69 39 721  
office@mahlkoenig.de, www.mahlkoenig.de